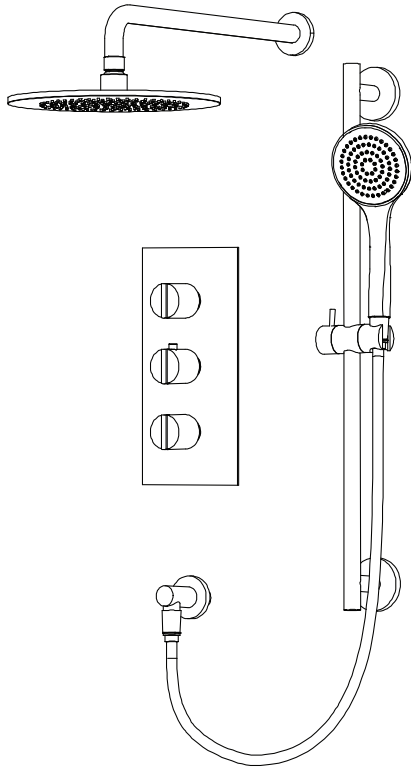


145.7200 | Two Output Shower W/ Rain Head, Hand Held & Slide Bar



COMPONENTS

- HS1012SA - 16" Shower Arm
- HSB.10R - 10" Shower Head
- 145.4500T - Shower Trim
- TVH.4401 - Shower Valve
- HS5100 - Hand Held
- 100.5502 - Wall Elbow
- SP.150EM - 1.5m Hose
- 100.601001A - Slide Bar

SHOWER VALVE:

- Thermostatic shower valve w/ stops
- Bottom handle controls handheld.
- Top handle controls shower head
- Middle handle controls temperature
- Shared port operation

SHOWER HEAD:

- Solid brass construction - 1.8 GPM

HAND HELD W/ SLIDE BAR & ELBOW:

- Solid Brass constr. w/ ABS hand held
- Hand held flow rate = 1.8 GPM
- 1/2" female NPT elbow connection
- With back flow prevention check valve
- Both outputs can be activated simultaneously

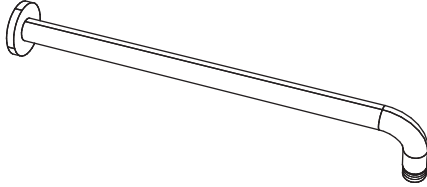
STANDARDS:

- ASME A112.18.1 / CSA B125.1

See individual component specification sheets on following pages for further details.



HS1012SA | Round Shower Arm - 400mm - 16"



SPECIFICATIONS:

- Solid Brass Shower Arm
- With Sliding Flange

FAST SHIP FINISHES :

- Chrome - HS1012SACP / Brushed Nickel - HS1012SABN

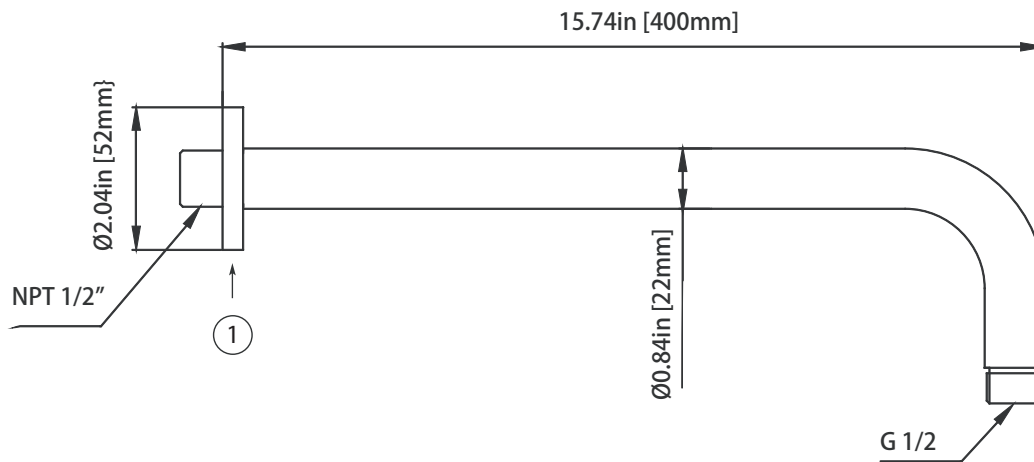
Legislation Compliance



ZeroDrip Technology



Technical Diagram



NOT TO SCALE

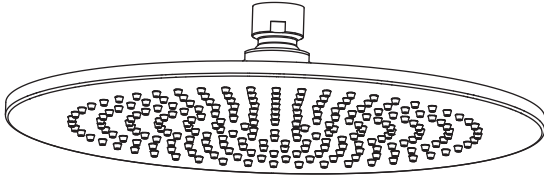
Part Number Guide:

- ① Flange - HS1002SA-1253CP - Chrome
HS1002SA-1253BN - Brushed Nickel

HSB.10R | 10" Brass Shower Head

SPECIFICATIONS:

- Solid Brass Shower Head
- Scrub rubber nozzles to easily clean water sediment
- 1.8 GPM Flow Rate
- 212 Nozzles



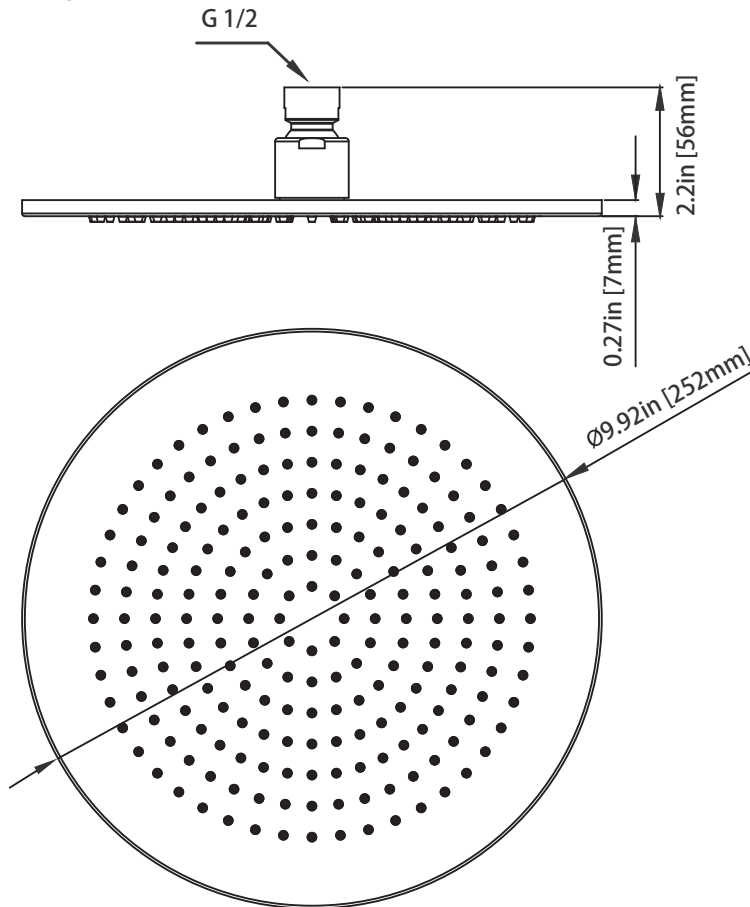
Legislation Compliance



ZeroDrip Technology

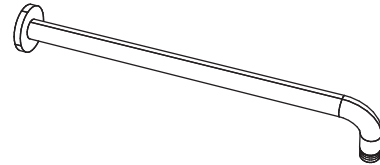


Technical Diagram



MATCHING SHOWER ARMS:

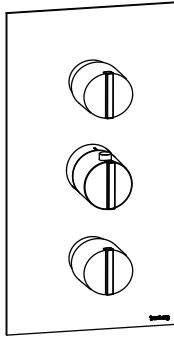
1) HS1012SA (16" Wall Mount Shower Arm)



2) 100.6CSA (6" Ceiling Mount Shower Arm)



145.4500T | Thermostatic Shower Trim



SPECIFICATIONS:

- Solid brass construction
- Valve only - trim not included
- Turn top knob to control temperature.
- Turn middle knob to divert water flow between two top outlets.
- Turn bottom knob to control water flow of bottom outlet.

Belgian Mirror Finish



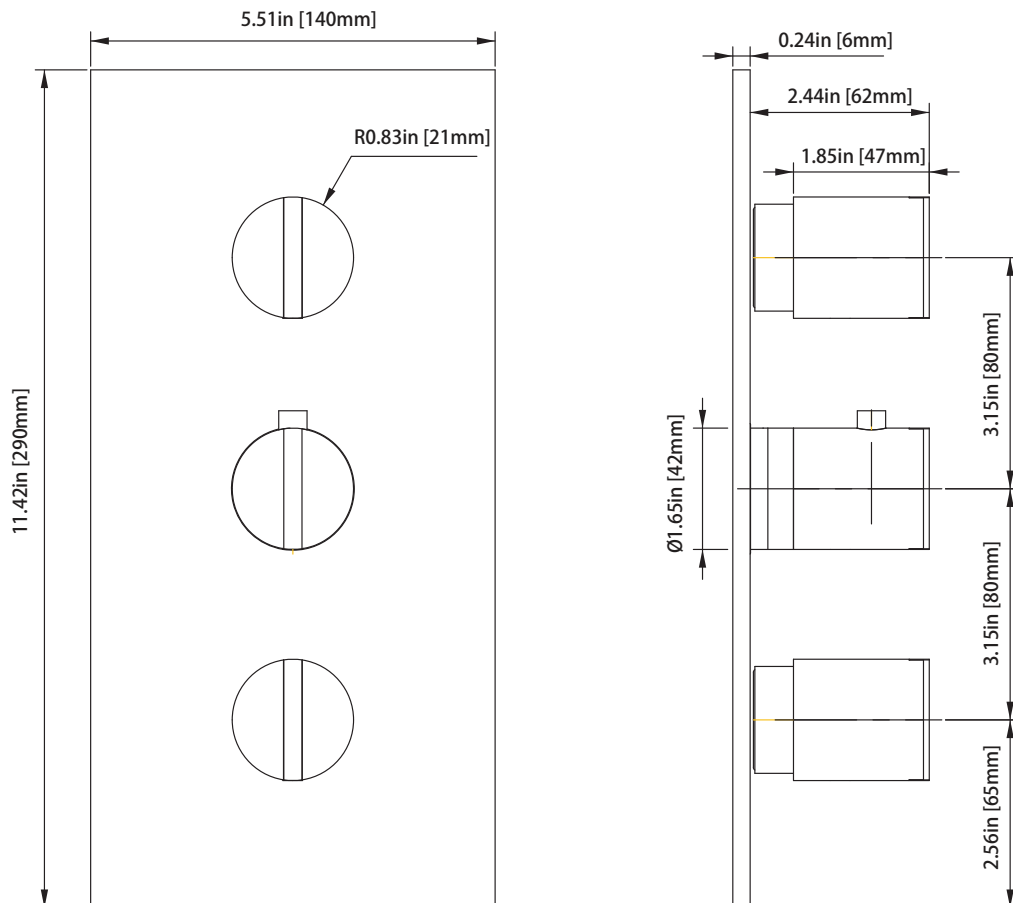
Legislation Compliance



ZeroDrip Technology



Technical Diagram



TVH.4401 | 3/4" Thermostatic Valve With 2 Independent Volume Controls Page 1 of 2



SPECIFICATIONS:

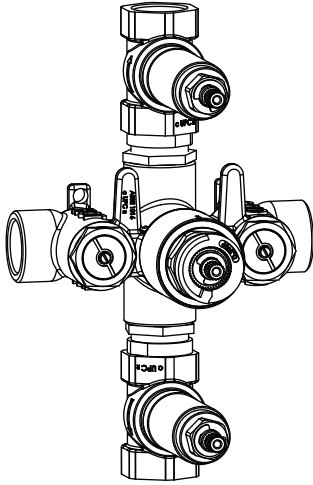
- Turn middle knob to control temperature.
- Turn top knob to control water flow from top output.
- Turn bottom to control water flow from bottom output.
- Thermostatic Valve Flow Rate - 13.0 GPM @ 60 PSI
- Both outputs can be activated at once.
- Extension Available - TVH.4401E**

STANDARDS:

- ASME A112.18.1 / CSA B125.1

WARRANTY:

- Limited lifetime warranty to the original consumer purchaser against finish and workmanship



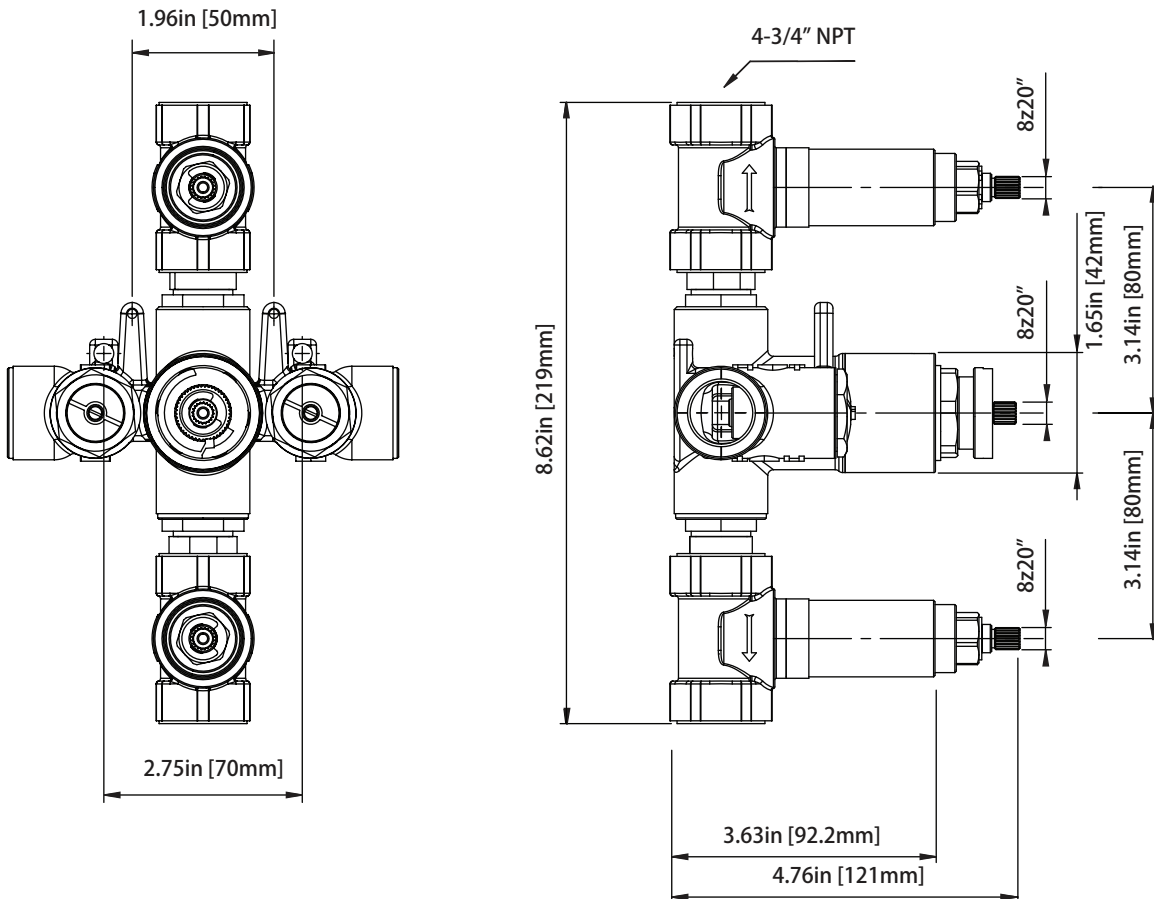
Legislation Compliance



ZeroDrip Technology



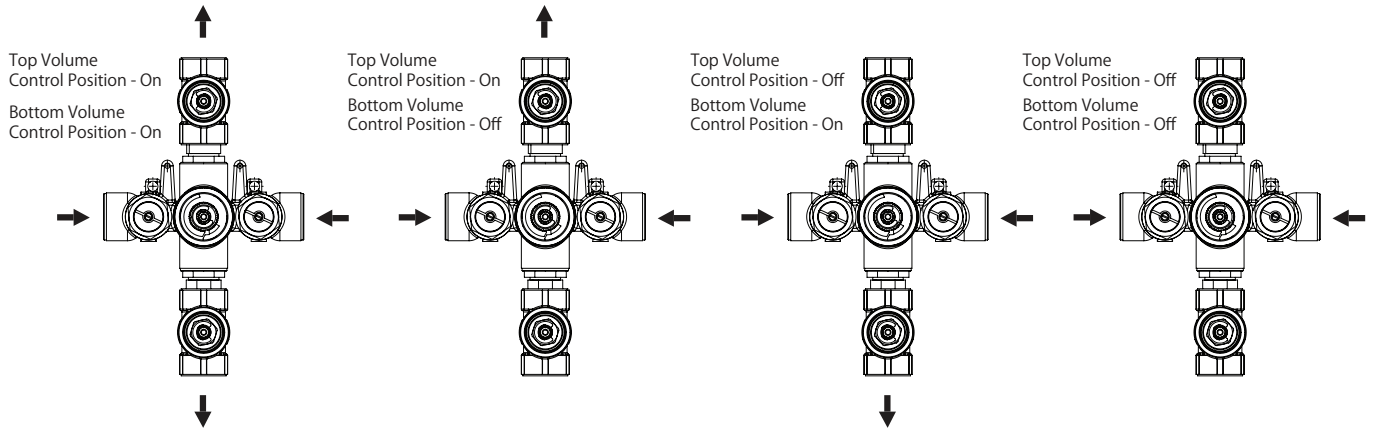
Technical Diagram



TVH.4401 | 3/4" Thermostatic Valve With 2 Independent Volume Controls page 2 of 2



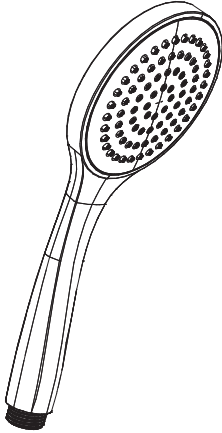
Water Flow Diagram



HS5100 | 100mm Single Function Hand-Shower

SPECIFICATIONS:

- ABS Construction
- Scrub nozzles to easily clean water sediment
- 1.8 GPM Flow Rate
- Includes backflow prevention check valve



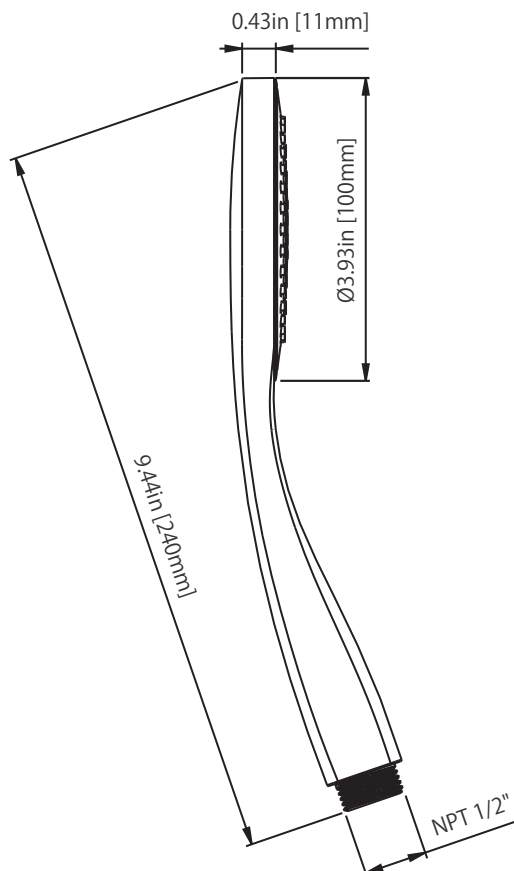
Legislation Compliance



ZeroDrip Technology

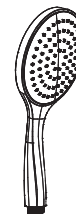


Technical Diagram

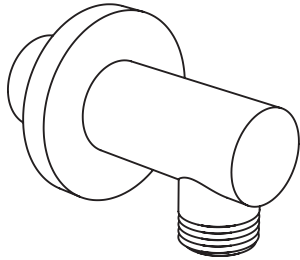


SEE ALSO:

1) HS5130 (130mm)



100.5502 | Wall Elbow



SPECIFICATIONS:

- Solid Brass construction
- 1/2" female connection with adjustment
- Includes check valve with back-flow prevention

FAST SHIP FINISHES :

- Chrome - 100.5505CP / Brushed Nickel - 100.5505BN

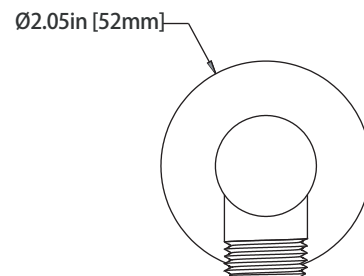
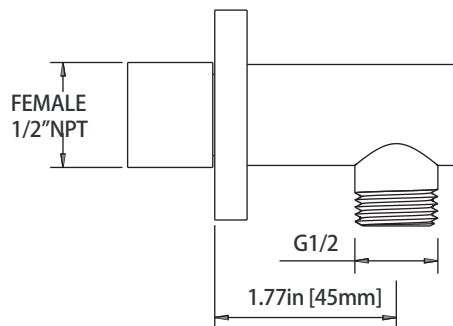
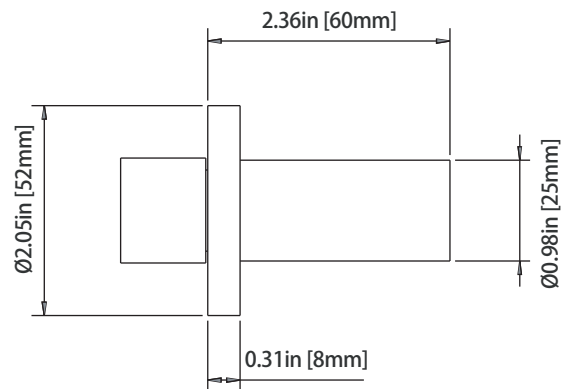
Legislation Compliance



ZeroDrip Technology



Technical Diagram



SP.150EM | Easy Maneuver Hose



SPECIFICATIONS:

- Stainless steel construction
- G-1/2" connection
- 1.5m length

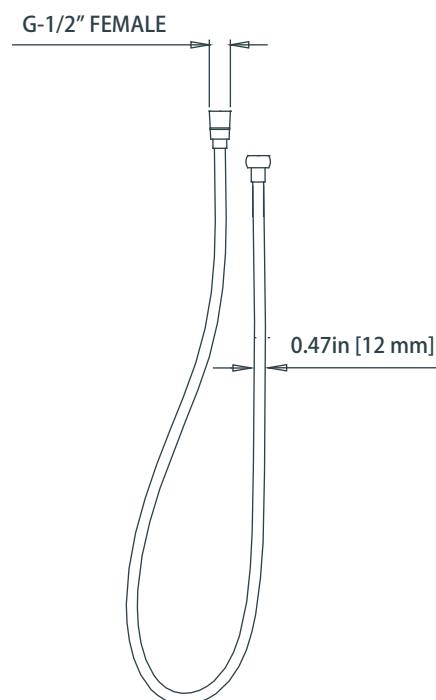
Legislation Compliance



ZeroDrip Technology



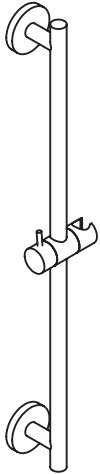
Technical Diagram



100.601001A | Slide Bar

SPECIFICATIONS:

- Solid Brass Construction
- Easy front of wall installation



Legislation Compliance



ZeroDrip Technology



Technical Diagram

